



Decadence

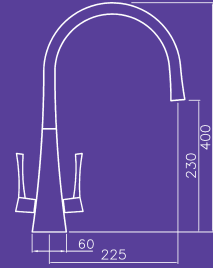
Decadence Art Deco monobloc with swivel spout and twin levers.

Ref. AT1171 Chrome £339

Ref. AT1172 Brushed Nickel £359

Ref. AT1173 English Gold £359

Min. 0.2 bar pressure required



Indicates taps suitable for the Revolve and Jet/Spray adaptors shown on page 197.

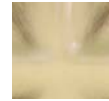
Finishes



Chrome



Brushed Nickel



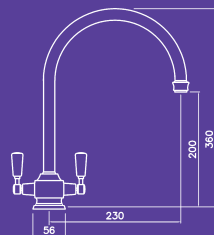
Antique Bronze



English Gold



Hargrave



Hargrave monobloc with swivel spout and twin levers.

Ref. AT1150 Chrome £199

Ref. AT1151 Brushed Nickel £219

Ref. AT1152 Antique Bronze £219

Min. 0.2 bar pressure required

Gosford

Gosford monobloc with swan swivel spout and twin levers.

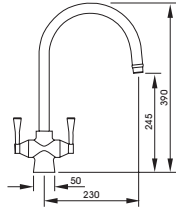
Ref. AT1019 Chrome £159

Ref. AT1020 Brushed Nickel £179

Ref. AT1021 English Gold £179

Ref. AT1022 Antique Bronze £179

Min. 0.2 bar pressure required



The Abode range of traditionally inspired taps are a perfect match to more classical kitchen design.

Whilst all of the kitchen mixer taps capture age-old design values they use the latest modern engineering technology to ensure effortless control of temperature and flow.

Flow Type



Neoperl Aerator



Cascade

Neoperl aerators are fitted to provide a non-splash frothy flow.



Tate Single Lever

Tate monobloc with swivel spout and side levers.

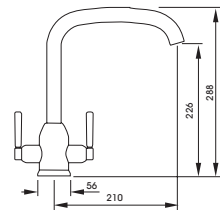
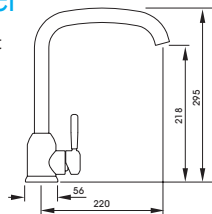
Ref. AT1129

Chrome £169

Ref. AT1130

Brushed Nickel £189

Min. 0.5 bar pressure required



Tate Twin Lever

Tate monobloc with swivel spout and twin levers.

Ref. AT1111 Chrome £169

Ref. AT1112 Brushed Nickel £189

Min. 0.3 bar pressure required

abode



Water Pressure
explained - page 131

Taps
Classic

Two different flow options at the touch of a button



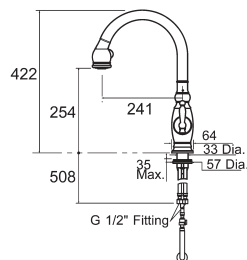
Foamy aerated flow



Fine spray flow



PULL OUT Vinnata



- Ref. K690W-CP** Chrome £475
- Ref. K690W-G** Brushed Chrome £625
- Ref. K690W-BN** Brushed Nickel £707
- Ref. K690W-SN** Polished Nickel £707

Min. 1.8 bar pressure required
Pull-out length 45cm
Height 442mm
Reach 241mm

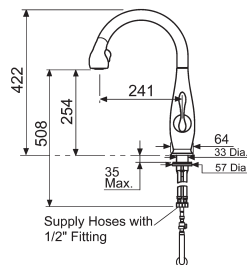


Both the Clairette and Vinnata have extendable pull-out hand sprays they are imposing taps - tall in stature with graceful lines. Available with or without base plate

The Kohler pull out spray taps really punch their weight in the kitchen. They are unrestrained by mediocrity and are simply big and beautiful and without compromising quality. As with all pull out spray taps it is advisable to use only with high pressure systems to enjoy the full benefits of these taps.



PULL OUT Clairette



- Ref. K692W-CP** Chrome £475
- Ref. K692W-G** Brushed Chrome £625
- Ref. K692W-BN** Brushed Nickel £707

Min. 1.8 bar pressure required
Pull-out length 45cm
Height 442mm
Reach 241mm

Essex

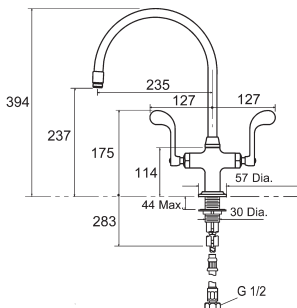
Ref. K8762W

Essex art deco twin lever monobloc with swivel spout

Chrome £412

Min. 0.7 bar pressure required
360° swivel spout

Mounting hole size Ø 35mm



THE BOLD LOOK OF KOHLER

Three unique retro designed taps from Kohler which would be very much at home in any traditional style farmhouse kitchen.



Palacio

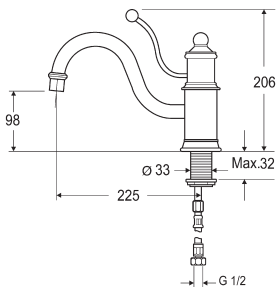
Ref. K168W

Palacio water pump style single lever monobloc with swivel spout

Chrome £316

Min. 0.7 bar pressure required
360° swivel spout

Mounting hole size Ø 35mm



Gentry

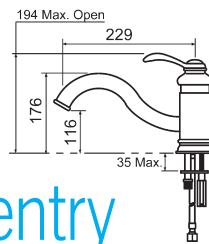
Ref. K12175W

Gentry water pump style single lever monobloc with swivel spout

Chrome £235

Min. 0.7 bar pressure required
360° swivel spout

Mounting hole size Ø 35mm



Water Pressure explained - page 131

Taps
Classic



Studio

Ref. STU

Chrome £75
Granite £124
Colour £105

Min. 0.2 bar pressure required
Compression full turn valves

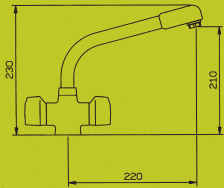


Ultra

Ref. ULT

Chrome £103
Brushed Steel £125
Granite £137
Colour £99

Min. 0.2 bar pressure required



Classic

Classic monobloc with swivel spout and twin controls.

Ref. CLMO

Chrome £59

Min. 0.2 bar pressure required
Height 210mm Reach 175mm
Compression full turn valves

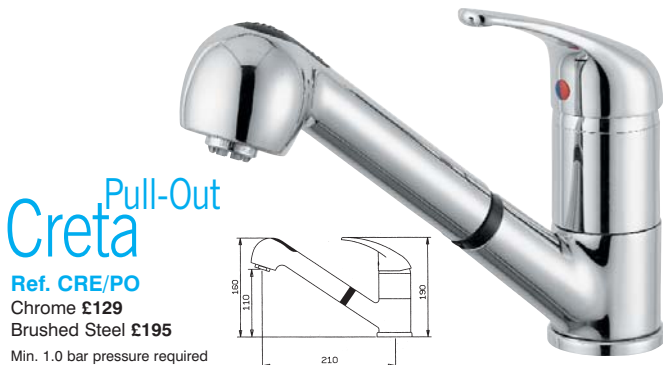
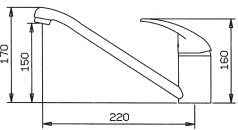


Creta

Ref. CRE

Chrome £59
Brushed Steel £70
Granite, Metallic £156
Colour £109

Min. 0.5 bar pressure required

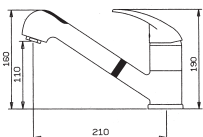


Creta Pull-Out

Ref. CRE/PO

Chrome £129
Brushed Steel £195

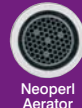
Min. 1.0 bar pressure required



CLEARWATER

This selection of great value taps are available in a variety of finishes and colours that will match granite and coloured sinks.

Flow Type



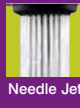
Neoperl Aerator



Cascade



Pull-out spray with Dual Flow



Needle Jet

Creta pull-out only

Granite



Colorado



Alpina



Forest



Terra



Lava

Colour



White



Champagne



Mocca

Metallic



Alumina



Nera

Imperial

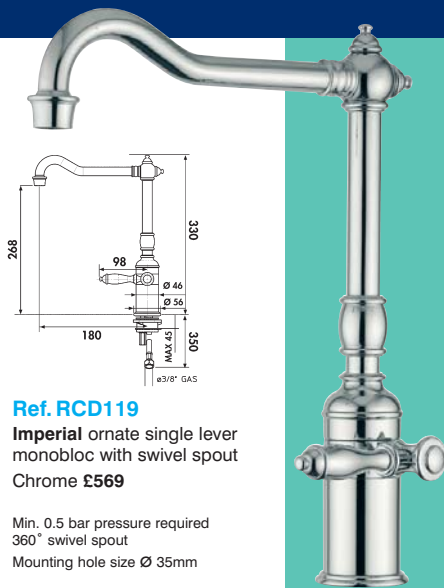
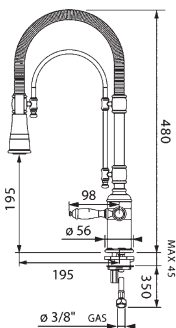
The **Imperial** taps are based on a retro design reminiscent of Victorian times. Despite their classical looks only the most modern components have been used to ensure faultless service.



Ref. RCD110

Imperial ornate semi-professional single lever monobloc with detachable sprung spout
Chrome £769

Min. 1.0 bar pressure required
360° swivel spout
Mounting hole size Ø 35mm



Ref. RCD119

Imperial ornate single lever monobloc with swivel spout
Chrome £569

Min. 0.5 bar pressure required
360° swivel spout
Mounting hole size Ø 35mm

Metro

Min. 0.3 bar pressure required



Ref. CLPT
High Neck pillar taps
(pair) Chrome £30



Ref. CLDM
Deck Mixer
Chrome £63
Tap Centres 180mm



Ref. LEPT
High Neck pillar taps
(pair) Chrome £64



Ref. LEDM
Deck Mixer
Chrome £98
Tap Centres 180mm



Ref. REPT
High Neck pillar taps
(pair) Chrome £35



Ref. REDM
Deck Mixer
Chrome £65
Tap Centres 180mm



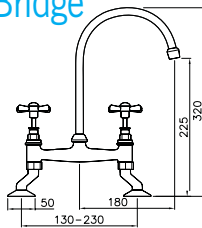
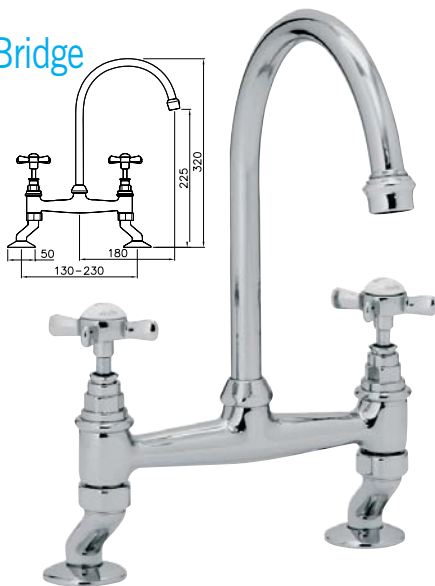
Water Pressure explained - page 131

Taps
Classic



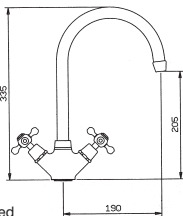
Cottage Bridge

- Ref. COTBC Chrome £202
 - Ref. COTBN Brushed Nickel £254
 - Ref. COTBG English Gold £254
 - Ref. COTBB Antique Bronze £254
- Min. 0.3 bar pressure required

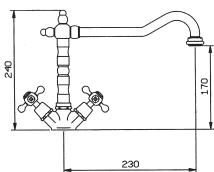


Cottage

- Ref. COTC Chrome £134
 - Ref. COTS Brushed Nickel £173
 - Ref. COTG English Gold £173
 - Ref. COTB Antique Bronze £173
- Min. 0.3 bar pressure required



Baroc



- Ref. BAC Chrome £168
 - Ref. BAN Brushed Nickel £207
 - Ref. BAG English Gold £207
 - Ref. BAB Antique Bronze £207
- Min. 0.3 bar pressure required



Revolve Aerator

A useful swivelling joint that attaches to the end of the spout of any of these taps, thus allowing water to be directed all around the bowl.



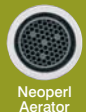
- Ref. RACP Chrome £7
- Ref. RABN Brushed Nickel £11
- Ref. RAEG English Gold £11
- Ref. RAAB Antique Bronze £11

CLEARWATER

TRADITIONAL CROSS-HEAD

Retro style cross-head taps using modern technology are the perfect finishing touch for a traditional kitchen. All of these models are suitable for low water pressure systems and are available in a variety of metal finishes. All taps apply with WRAS standards.

Flow Type



Neoperl Aerator

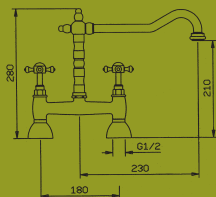


Cascade



Cross-head

Neoperl aerators are fitted to provide a non-splash frothy flow.



Baroc Bridge

- Ref. BBAC Chrome £222
 - Ref. BBAN Brushed Nickel £243
 - Ref. BBAG English Gold £243
 - Ref. BBAB Antique Bronze £243
- Min. 0.2 bar pressure required

CLEARWATER

TRADITIONAL LEVER

The Clearwater traditional lever taps use 1/4 turn valves and are available in monobloc or two-hole bridge styles. All of these models are particularly suited to pair with ceramic sinks.

Flow Type



Neoperl Aerator



Cascade

Neoperl aerators are fitted to provide a non-splash frothy flow.



Lever

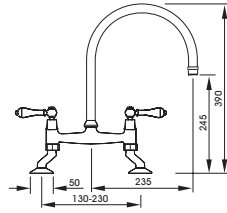
Elegance Bridge

Ref. AT1029 Chrome £171

Ref. AT1030 English Gold £194

Ref. AT1031 Antique Bronze £194

Min. 0.3 bar pressure required



Finishes



Chrome



Brushed Nickel



Antique Bronze



English Gold



Elegance

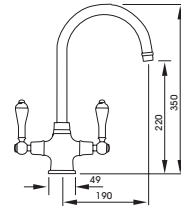
Ref. ELC Chrome £161

Ref. ELN Brushed Nickel £200

Ref. ELG English Gold £200

Ref. ELB Antique Bronze £200

Min. 0.3 bar pressure required



Water Pressure explained - page 131

Victoria

Ref. VIC

Monobloc with swivel spout and cross-head controls
Chrome £77

Brushed Steel £104

Height 210mm Reach 175mm
Compression full turn valves



Baroc Single Lever

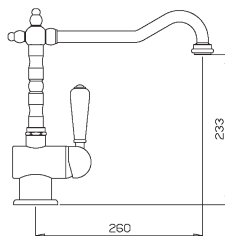
Ref. BSCL Chrome £217

Ref. BSLS Brushed Nickel £249

Ref. BSLE English Gold £249

Ref. BSLL Antique Bronze £249

Min. 0.5 bar pressure required

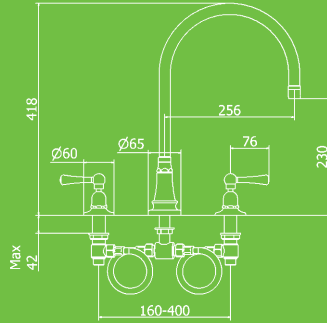


Taps
Classic

STEAM VALVE
ORIGINAL

Stainless Steel

The **Steam Valve** taps are handcrafted from solid stainless steel and faithfully recreate 1930's styling. The engineering is reassuringly solid and the look traditionally elegant. These British made taps are available in lever handle options with a choice of ceramic or metal levers.



Ref. 1031

Steam Valve Three hole mixer with swivel spout and lever controls

Brushed Stainless Steel **£449**

Polished Stainless Steel **£484**

Min. 0.3 bar pressure required

360° swivel spout

Tap Centres min 152mm - 500mm

Mounting hole size Ø 28-32mm



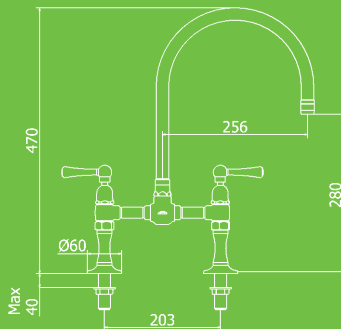
Metal Levers
Supplied as standard



Ref. LA1700
White Ceramic Levers
£35 pair



Ref. LA1800
Black Ceramic Levers
£35 pair



Ref. 1014

Steam Valve Deck-mounted bridge mixer with swivel spout and lever controls

Brushed Stainless Steel **£498**

Polished Stainless Steel **£545**

Min. 0.3 bar pressure required

360° swivel spout

Tap Centres 203mm

Mounting hole size Ø 28-32mm





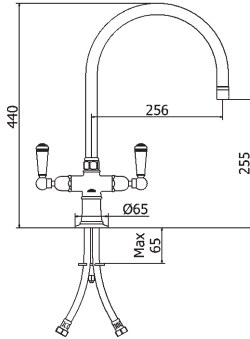
Metal Levers
Supplied as standard



Ref. LA1700
White Ceramic
Levers **£35 pair**



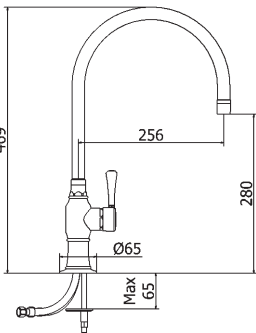
Ref. LA1800
Black Ceramic
Levers **£35 pair**



Ref. 1021

Steam Valve Monobloc with
swivel spout and lever controls
Brushed Stainless Steel **£392**
Polished Stainless Steel **£447**

Min. 0.3 bar pressure required
360° swivel spout
Mounting hole size Ø 35mm



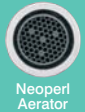
Ref. 1071

Steam Valve Single lever monobloc
with swivel spout
Brushed Stainless Steel **£459**
Polished Stainless Steel **£486**

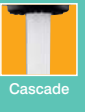
Min. 0.3 bar pressure required
360° swivel spout
Mounting hole size Ø 35mm
Ceramic levers are not an option with this model



Flow Type



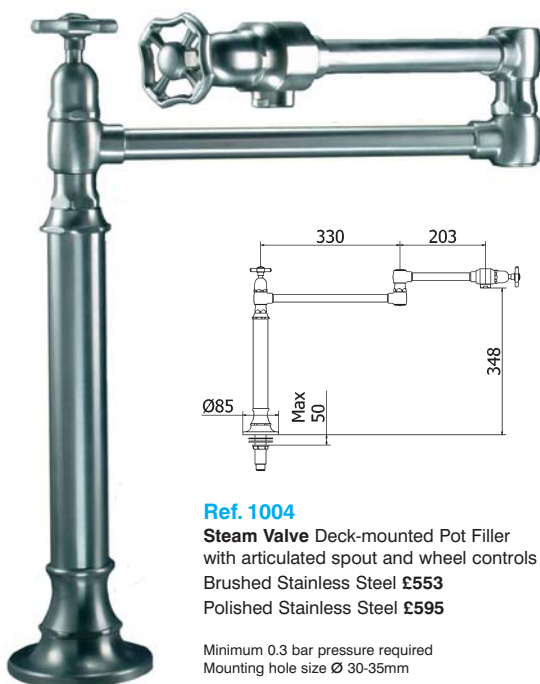
Neoperl
Aerator



Cascade



Water Pressure
explained - page 131



Ref. 1004

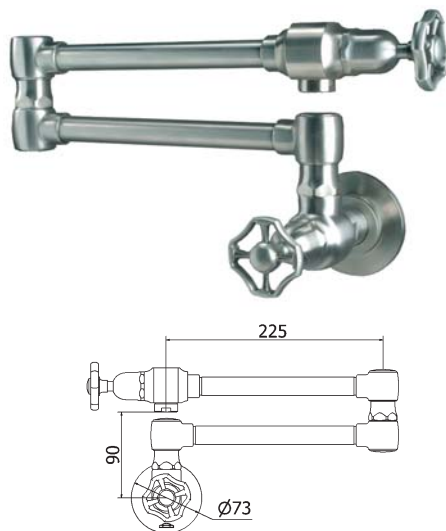
Steam Valve Deck-mounted Pot Filler
with articulated spout and wheel controls
Brushed Stainless Steel **£553**
Polished Stainless Steel **£595**

Minimum 0.3 bar pressure required
Mounting hole size Ø 30-35mm



Solid Stainless Steel Pot Fillers

The **Pot Filler** is widely used in commercial kitchens and is popular for domestic use in the U.S. We now believe it's time to introduce these useful faucets to the UK. Choose a wall-mounted or a deck-mounted version, the latter being ideal for an island unit or an existing kitchen. The articulated spout allows total flexibility for direction and reach. The wheel control operates quarter turn valves to deliver cold water directly into saucepans positioned on the stove.



Ref. 1003

Steam Valve Wall-mounted Pot Filler
with articulated spout and wheel controls
Brushed Stainless Steel **£450**
Polished Stainless Steel **£495**

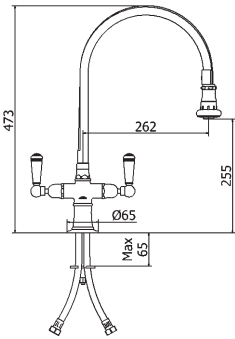
Minimum 0.3 bar pressure required

STEAM VALVE
ORIGINAL

Solid Stainless Steel Pull-Off Sprays

These traditional British handcrafted stainless steel taps have a unique 'Pull-Off' spray that allows total flexibility for rinsing vegetables or general cleaning. There is a push/pull action on the spout end that controls the flow from an aerated stream to a spray mode.

The spray head has easy clean silicon nozzles and an internal air gap for thermal insulation. A non-return valve is also fitted to the spray head for added safety.



Ref. 1022

Steam Valve Two hole bridge mixer with swivel spout and lever controls
Brushed Stainless Steel **£529**
Polished Stainless Steel **£582**

Min. 0.5 bar pressure required
360° swivel spout
Mounting hole size Ø xxmm



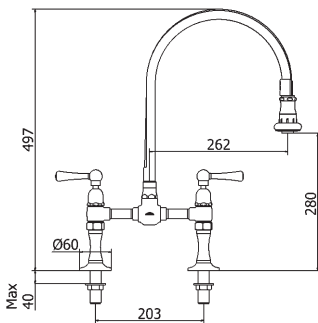
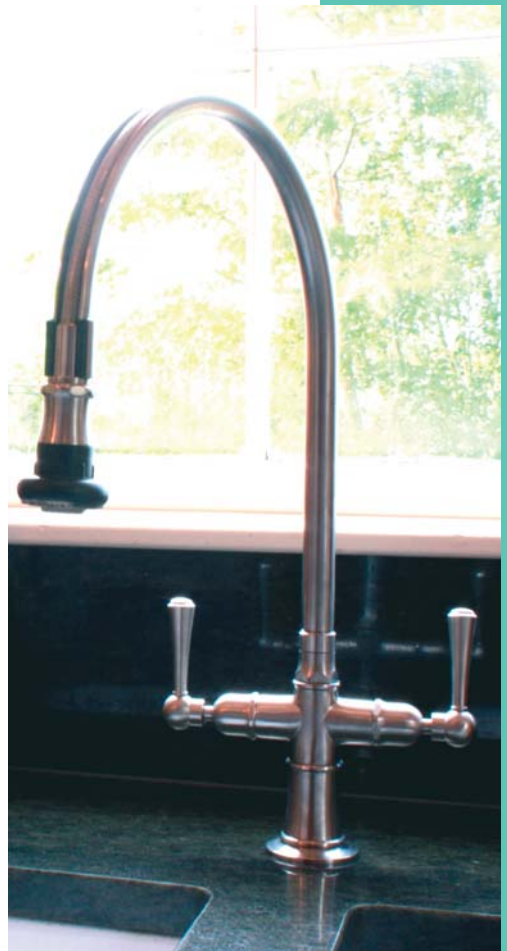
Two flow types.



Flow type - Cascade.



Flow type - Spray.



Ref. 1015

Steam Valve Deck-mounted bridge mixer with swivel spout and lever controls
Brushed Stainless Steel **£655**
Polished Stainless Steel **£698**

Min. 0.5 bar pressure required
360° swivel spout
Tap Centres 203mm
Mounting hole size Ø xxmm



Water Pressure
explained - page 131

Taps
Classic

Our Thomas Denby taps are beautifully manufactured from one of the few remaining British brassware factories. The highest quality and traditional designs have been upheld whilst using the latest technology for impeccable operating standards. There are two styles to choose from: the Nautilus with its 1900 style crosshead controls or the Neptune with its 1920 style lever control. Whichever you decide to choose you will assured of a beautifully made and quintessentially British traditional tap.

Finishes



Chrome



Brushed Nickel



English Gold



Neptune Deck Bib Taps with Upstands
Height 230mm Reach 125mm

Ref. NEC13 Chrome £289 pair

Ref. NEB13 Brushed Nickel £314 pair

Ref. NEG13 English Gold £319 pair

Neptune Wall Bib Taps with Wall Unions
Projection 143mm

Ref. NEC17 Chrome £226 pair

Ref. NEB17 Brushed Nickel £273 pair

Ref. NEG17 English Gold £276 pair

Min. 0.2 bar pressure required



Neptune

The **Neptune** lever is controlled by 1/4 turn ceramic discs. There are three lever choices: matching metal finish and White or Black ceramic. Metal levers are supplied as standard. Please note when choosing black levers we supply black 'Hot/Cold' ceramic indices to match.



Metal Lever
supplied as
standard



White Ceramic
Lever
£11 pair



Black Ceramic
Lever
£16 pair



Neptune Monobloc with swivel swan neck spout
Overall Height 370mm Reach 240mm

Ref. NEC21 Chrome £356

Ref. NEB21 Brushed Nickel £376

Ref. NEG21 English Gold £399

Min. 0.2 bar pressure required



Neptune Bridge Mixer with swivel swan neck spout
Overall Height 415mm Reach 240mm
Adjustable Centres 130-270mm

Ref. NEC25 Chrome £449

Ref. NEB25 Brushed Nickel £459

Ref. NEG25 English Gold £557

Min. 0.2 bar pressure required



Nautilus Bridge Mixer with swivel
swan neck spout
Overall Height 415mm Reach 240mm
Adjustable Centres 130-270mm

Ref. NAC25 Chrome £385
Ref. NAB25 Brushed Nickel £409
Ref. NAG25 English Gold £454

Min. 0.2 bar pressure required



Nautilus

The **Nautilus** crosshead has great authentic appeal whilst using the latest 1/4 turn ceramic disc valve technology.



Nautilus Monobloc with swivel swan
neck spot
Overall Height 350mm Reach 240mm

Ref. NAC21 Chrome £269
Ref. NAB21 Brushed Nickel £329
Ref. NAG21 English Gold £375

Min. 0.2 bar pressure required

**THOMAS
DENBY**

Nautilus Deck Bib Taps with Upstands
Height 225mm Reach 125mm

Ref. NAC13 Chrome £243 pair
Ref. NAB13 Brushed Nickel £269 pair
Ref. NAG13 English Gold £279 pair

Nautilus Wall Bib Taps with Wall Unions
Projection 143mm

Ref. NAC17 Chrome £195 pair
Ref. NAB17 Brushed Nickel £232 pair
Ref. NAG17 English Gold £236 pair

Min. 0.2 bar pressure required



Water Pressure
explained - page 131

Taps
Classic