



Ref. 058 Economy
£96



Ref. 158 Standard
£119



Ref. 258 Mid Duty
£151



Two Alternatives

There are two types of Food Waste disposer: Batch Feed: food is loaded into the Disposer before power is introduced. After the grind process completed, more food can be added and the program repeated. Continuous: food can be continually added during the grinding process. Both types use the same grind mechanism, but adopt different styles to activate power. The Batch feed model 255BF has the on/off switch situated in the throat of the disposer and is activated by positioning of the sink stopper. All of the Continuous Feed models will potentially need a wall-switch to turn on/off.

Latest Generation

Waste Maid disposers utilise the latest generation of Permanent Magnet Motors in union with the exclusive Torque Master Grinding System. These very clever Waste Maids run at jam busting speeds and are load sensitive so they can automatically change speeds (min 2600rpm) when needed to increase torque. This enables Waste Maid to grind all forms of food waste (including bones) and reduce risk of potential jams.

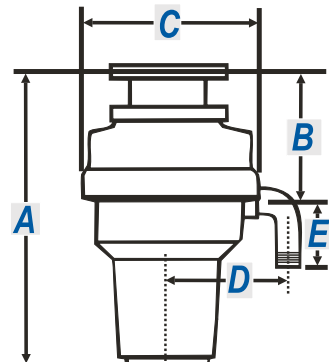
Finest Construction

Both the shell and Grind Chamber of the Waste Maid is constructed of space age materials that will not corrode. The grind components (including armature shafts) are constructed of Stainless Steel. This allows Waste Maid to include the unique Lifetime Corrosion Guarantee across the complete BEAB Approved line.

Protection Against Bacterial Growth

The Waste Maid program is the first and only disposer line to include Bioshield Antimicrobial Protection. This antibacterial additive is permanently moulded into the disposer components to provide total protection against bacterial growth.

MEASUREMENTS





Ref. 358 Heavy Duty
£195



Ref. 458 Deluxe
£261



Ref. 255 BF Batch Feed
£265



Ref. ESF
Extended
Sink Flange
Chrome £72
24-45mm



Ref. AS100

Air Switch **£72**
Cut-out size: 20mm

All our disposers are supplied with a power cable and 13 amp plug. As an option to a wall switch, a worktop Air Switch can be supplied.

This is available with Chrome or White buttons and it's 16mm bellows allows installation through 50mm worktops.



Ref. WCS101

Wireless Control Switch **£27**

The Wireless Control Switch can be located in any convenient position in the kitchen. It even has the ability to activate the disposer through kitchen cabinet doors.

Septic Safe: All Waste Maid Disposers can be used with properly sized Septic Tanks.



| MODEL | 058 | 158 | 258 | 358 | 458 | 255BF |
|---------------|--------|---------|--------|---------|---------|--------|
| Horsepower | 1/2 | 1/2 | 1/2 | 1/2 | 3/4 | 1/2 |
| Watts | 475 | 475 | 475 | 490 | 520 | 475 |
| Amps | 2.25 | 2.25 | 2.25 | 2.25 | 3.25 | 2.25 |
| Sound Shell | None | Partial | Full | Full | Full | Full |
| Grind Chamber | Medium | Medium | Large | X-Large | X-Large | Large |
| Weight | 4.3 Kg | 4.4 Kg | 4.8 Kg | 5.2 Kg | 5.9 Kg | 5.8 Kg |
| Warranty | 2-Year | 3-Year | 3-Year | 4-Year | 5-Year | 3-Year |
| Measurement A | 355mm | 355mm | 381mm | 379mm | 416mm | 406mm |
| Measurement B | 165mm | 165mm | 184mm | 184mm | 190mm | 190mm |
| Measurement C | 121mm | 121mm | 187mm | 215mm | 215mm | 176mm |
| Measurement D | 138mm | 138mm | 138mm | 139mm | 164mm | 139mm |
| Measurement E | 70mm | 70mm | 70mm | 70mm | 70mm | 70mm |